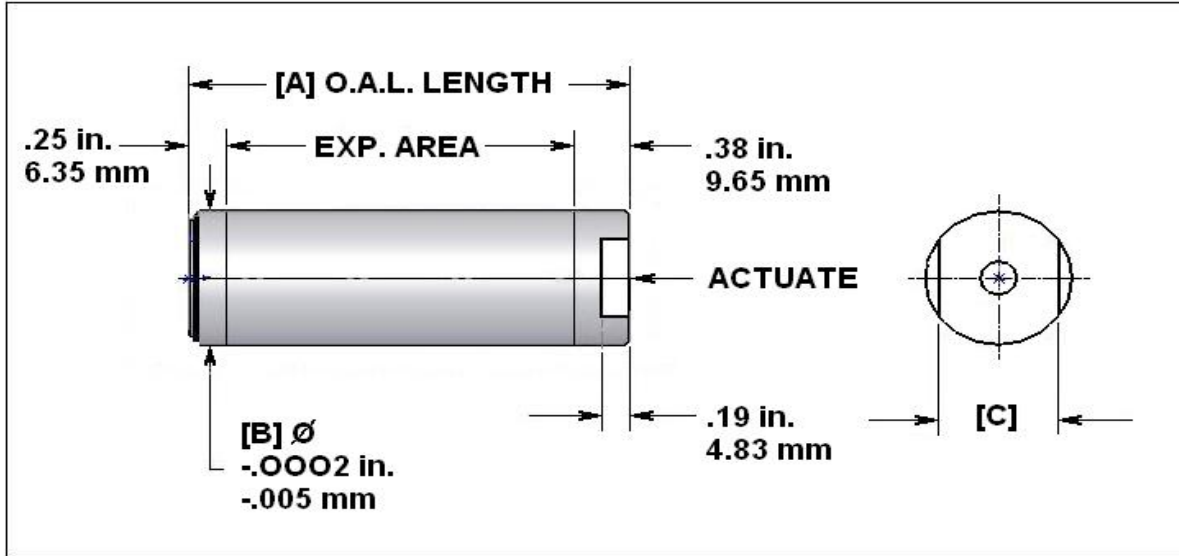


Standard & Metric DWL Expanding Dowels



HYDRA-LOCK DOWEL NO.	LENGTH		LOCATE [B]	FLATS [C]	EXPANSION [D]
	in	mm			
DWL. 50-225	2.25	57.2	0.500 in 12.700 mm	0.44 in 11.18 mm	0.0015 in 0.0381 mm
DWL. 50-250	2.50	63.5			
DWL. 50-275	2.75	69.9			
DWL. 50-300	3.00	76.2			
DWL. 50-325	3.25	82.6			
DWL. 50-350	3.50	88.9			
DWL. 56-225	2.25	57.2			
DWL. 56-250	2.50	63.5			
DWL. 56-275	2.75	69.9			
DWL. 56-300	3.00	76.2			
DWL. 56-325	3.25	82.6			
DWL. 56-350	3.50	88.9			
DWL. 62-225	2.25	57.2	0.625 in 15.875 mm	0.50 in 12.70 mm	0.0019 in 0.0483 mm
DWL. 62-250	2.50	63.5			
DWL. 62-275	2.75	69.9			
DWL. 62-300	3.00	76.2			
DWL. 62-325	3.25	82.6			
DWL. 62-350	3.50	88.9			
DWL. 75-300	3.00	76.2			
DWL. 75-325	3.25	82.6			
DWL. 75-350	3.50	88.9			
DWL. 75-375	3.75	95.3			
DWL. 75-400	4.00	101.6			
DWL. 75-450	4.50	114.3			

HYDRA-LOCK DOWEL NO.	LENGTH		LOCATE [B]	FLATS [C]	EXPANSION [D]
	in	mm			
DWL. 87-300	3.00	76.2	0.875 in 22.225 mm	0.75 in 19.05 mm	0.0026 in 0.0660 mm
DWL. 87-325	3.25	82.6			
DWL. 87-350	3.50	88.9			
DWL. 87-375	3.75	95.3			
DWL. 87-400	4.00	101.6			
DWL. 87-450	4.50	114.3			
DWL. 100-300	3.00	76.2			
DWL. 100-325	3.25	82.6			
DWL. 100-350	3.50	88.9			
DWL. 100-375	3.75	95.3			
DWL. 100-400	4.00	101.6			
DWL. 100-450	4.50	114.3			
DWL. 112-300	3.00	76.2	1.125 in 28.575 mm	0.88 in 22.35 mm	0.0030 in 0.0762 mm
DWL. 112-325	3.25	82.6			
DWL. 112-350	3.50	88.9			
DWL. 112-400	4.00	101.6			
DWL. 112-450	4.50	114.3			
DWL. 112-500	5.00	127.0			
DWL. 125-300	3.00	76.2			
DWL. 125-325	3.25	82.6			
DWL. 125-350	3.50	88.9			
DWL. 125-400	4.00	101.6			
DWL. 125-450	4.50	114.3			
DWL. 125-500	5.00	127.0			

Note: When ordering please specify hole size and tolerance "B". Diameter will be supplied .0002 in. [.005 mm] under hole size.