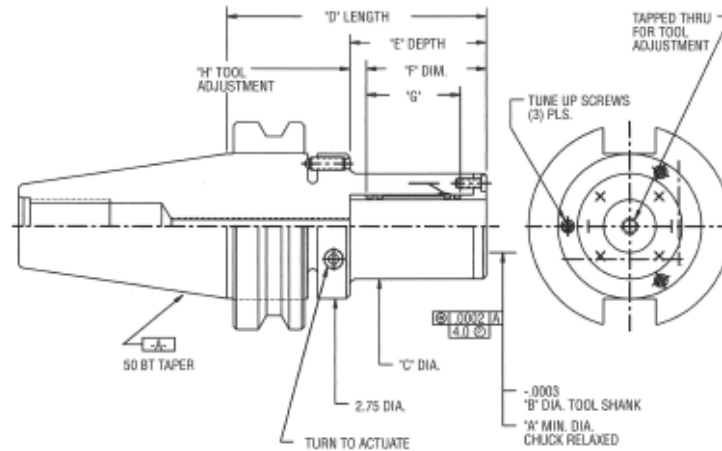


# 50 BT FLANGE

## ADJUSTABLE "F" STYLE HYDRA-LOCK TOOL HOLDER



<b>Hydra-Lock Tool No.</b>	<b>A</b> DIA.	<b>B</b> DIA.	<b>C</b> DIA.	<b>D</b> LENGTH	<b>E</b> DEPTH	<b>F</b> LENGTH	<b>G</b> GRIP AREA	<b>H</b> LENGTH
50B0250F	0.2500	0.2498	1.31	4.25	1.88	1.62	1.12	.25
50B0312F	0.3125	0.3123	1.31	4.25	1.88	1.62	1.12	.25
50B0375F	0.3750	0.3748	1.38	4.25	1.88	1.62	1.12	.25
50B0437F	0.4375	0.4373	1.44	4.50	2.12	1.88	1.38	.25
50B0500F	0.5000	0.4998	1.50	4.50	2.12	1.88	1.38	.25
50B0562F	0.5625	0.5623	1.56	4.50	2.12	1.88	1.38	.25
50B0625F	0.6250	0.6248	1.62	4.50	2.12	1.88	1.38	.25
50B0687F	0.6875	0.6873	1.68	4.50	2.12	1.88	1.38	.25
50B0750F	0.7500	0.7498	1.75	5.00	2.62	2.31	1.81	.31
50B0812F	0.8125	0.8123	1.81	5.00	2.62	2.31	1.81	.31
50B0875F	0.8750	0.8748	1.88	5.00	2.62	2.31	1.81	.31
50B0937F	0.9375	0.9373	1.94	5.00	2.62	2.31	1.81	.31
50B1000F	1.0000	0.9998	2.00	5.00	2.62	2.31	1.81	.31
50B1125F	1.1250	1.1245	2.12	5.00	2.62	2.31	1.81	.31
50B1250F	1.2500	1.2495	2.25	5.00	2.62	2.31	1.81	.31
50B1375F	1.3750	1.3745	2.38	5.00	2.62	2.31	1.81	.31
50B1500F	1.5000	1.4995	2.50	5.00	2.62	2.31	1.81	.31

The holders shown on this page represent some of the sizes available. If a size other than the "A" diameter is required or if a different "D" length is needed (for a longer extension or a shorter length), please ask us for a quotation.